

ECLIPSE

**PREVIEW
BROCHURE**

09 DISTORTION JERSEYS



ICE



AZTEC
(BLACK/GOLD)



COVERT



FIRE



PURE (WHITE)



LAGOON

GET MORE AT PLANETECLIPSE.COM

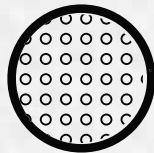
ECLIPSE
PAINTBALL
NEVER
LOSE
A GAME



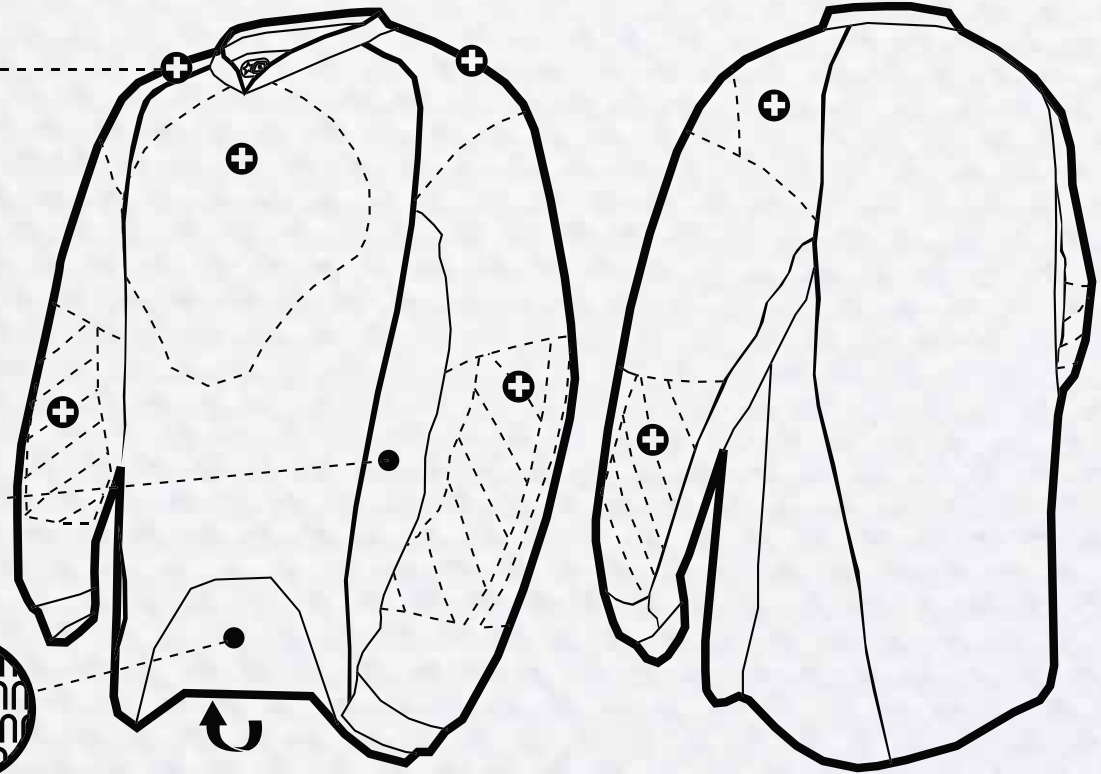
**FOAM
PADDING**



**MESH
VENTING**



**INTERNAL
MICRO-FIBRE CLOTH**



The **Distortion** Jersey is a light-weight and breathable outer layer which has some great features built-in! Foam padding has been added to the chest, shoulders and forearms to offer protection. Internal micro-fibre is conveniently placed inside the jersey to wipe down after a game!

GET MORE AT PLANETECLIPSE.COM

09 DISTORTION PANTS



GET MORE AT PLANETECLIPSE.COM

ECLIPSE
PAINTBALL
NEVER
LOSE
A GAME

INTERNAL BELT LOOPS

Ditch the adjustable straps in favour of a regular belt which fits easily inside the internal belt loop system for a streamlined fit.

ADJUSTABLE WAIST STRAPS

Get the fit you want with velcro adjustable waist straps which fasten securely and without the use of bulky hard parts.

PADDED LUMBAR SUPPORT

The Improved low profile design supports the pack and lower back keeping the pressure off your spine and reducing pack movement. The soft EVA padding ensures a comfortable & secure fit.

INTERNAL IMPACT PADDING

Reduce potential injuries with protective internal padding on the hip areas. So light you won't even know it's there!

KEY 4-WAY STRETCH ZONES

Assist a more ergonomic fit which has been developed to maximise maneuverability when you get stuck in those tight spots!
1. Stretch Crotch 2. Stretch Thighs 3. Stretch Lumbar 4. Stretch Ankle

STRETCH LUMBAR ZONE

A large rear lumbar stretch zone enhances player comfort and agility by providing the perfect degree of stretch and movement.

SQUEEGEE POCKETS

If you don't shoot an Ego or a Geo marker you may need this pocket more than you think! A simple, quick access, low profile pocket designed for your Swab/Squegee.

PADDED KEVLAR KNEES

A triumph in modern pant design! We have managed to keep the pants as light as possible yet retained the strength delivered through a soft padded Kevlar knee section which offers more protection and more bounce!

LIGHT BREATHABLE MESH

Large mesh venting panels behind the knees and inner thighs help expel warm air. The moisture wicking material draws moisture away from the body so it can evaporate naturally to help reduce chafing.

ADJUSTABLE ANKLE CLOSURE

Stop your pants from dragging under the heels if you like em' big. The adjustable ankle closure allows you to tie the adjuster up using a velcro tab so you don't stand on it!

09 OVERLOAD JERSEY

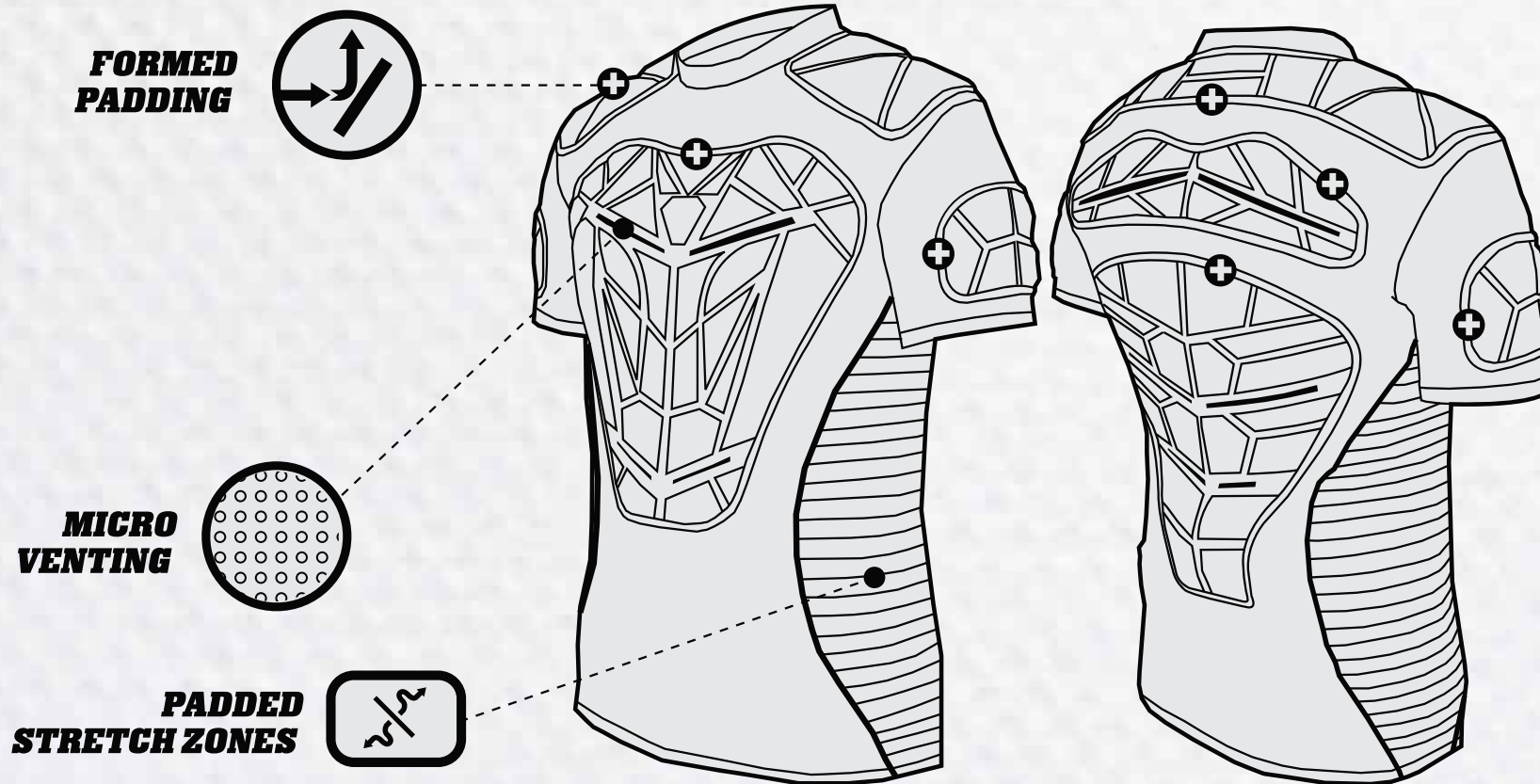


09 BOTTLE COVER



GET MORE AT PLANETECLIPSE.COM

ECLIPSE
PAINTBALL
NEVER
LOSE
A GAME



The **Overload** Jersey is designed to maximise protection by having impact zones made from soft formed foam in critical areas on the body. The integrated micro venting will keep you cool in the most heated situations whilst the lycra construction will help wick moisture away from the body.

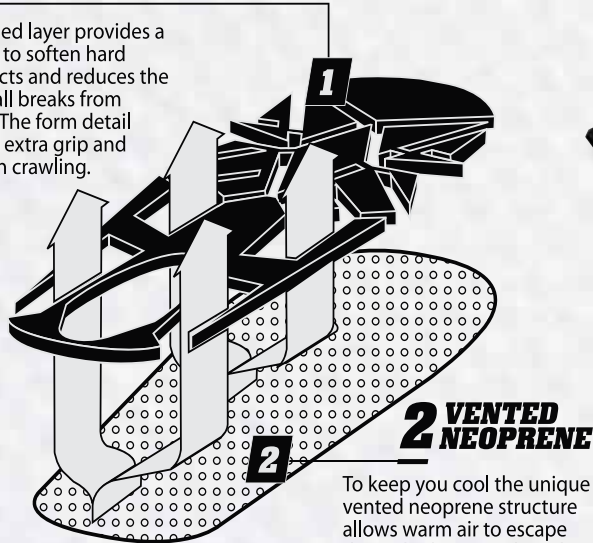
09 ELBOW PADS

2CORE CONSTRUCTION

Eclipse Elbow Pads incorporate a x2 layer construction method each of which brings a unique user benefit:

1 FORMED EVA

The soft formed layer provides a great surface to soften hard ground impacts and reduces the number of ball breaks from forearm hits! The form detail also provides extra grip and stability when crawling.

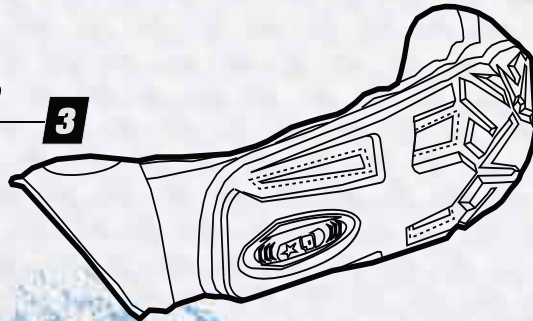


2 VENTED NEOPRENE

To keep you cool the unique vented neoprene structure allows warm air to escape through the vented mesh in the Formed EVA! More vents also equals less weight!

SECURE THUMB LOOP

Maintain complete control with the secure thumb loop which helps keep vertical slip to an absolute minimum.



GET MORE AT PLANETECLIPSE.COM

09 KNEE PADS

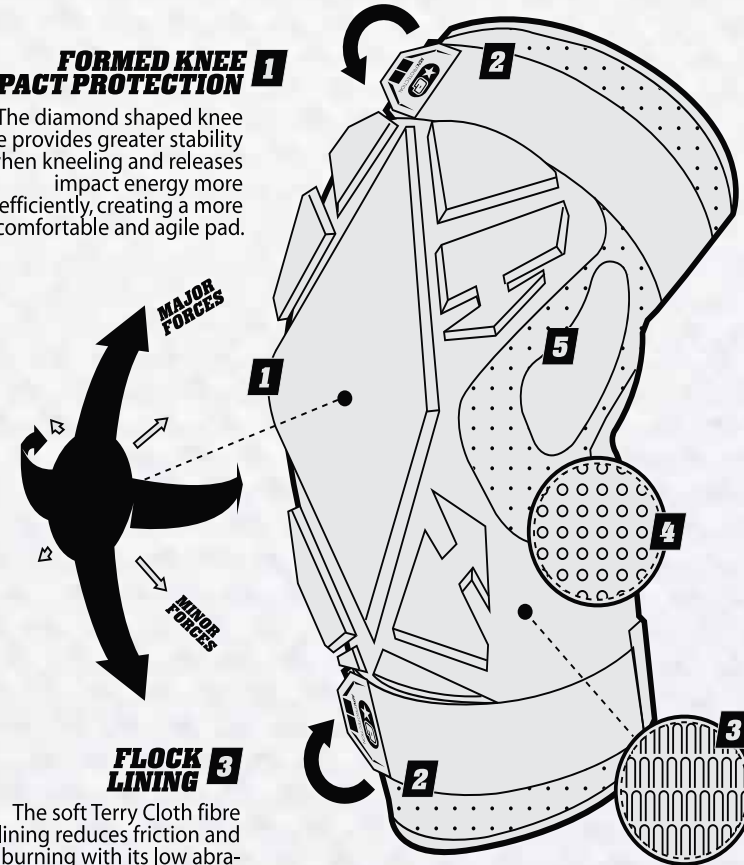


ADJUSTABLE SUPPORT STRAPS 2

Get the fit you want! Adjustable velcro straps offer precise fitting, comfort and support.

FORMED KNEE IMPACT PROTECTION 1

The diamond shaped knee zone provides greater stability when kneeling and releases impact energy more efficiently, creating a more comfortable and agile pad.



FLOCK LINING 3

The soft Terry Cloth fibre lining reduces friction and burning with its low abrasion surface.

VENTED NEOPRENE 4

Allows warm air to escape through the lightweight vented neoprene structure keeping you cooler and reducing skin abrasion.

SIDE IMPACT PROTECTION 5

Reduces the risk of damage to the sides of the knee from debris or excessive force on those awkward impacts.

GET MORE AT PLANETECLIPSE.COM

9

09 DISTORTION GLOVES

The renowned Eclipse Distortion Gloves are looking better than ever. Take a look at these great features to see why people love them so much!



GET MORE AT PLANETECLIPSE.COM

ECLIPSE
PAINTBALL
NEVER
LOSE
A GAME

09 DISTORTION GLOVES



TERRY CLOTH THUMB 1

Useful for removing paint & dirt from your goggle lens.

FORMED PADDING 2

Reduces ball breaks and aids an ergonomic and comfortable fit.

WRIST SUPPORT STRAP 3

Helps reduce sprains & strains by supporting the wrist.

TACTILE PALM PRINT 4

Gives you a more confident surface contact grip.

QUICK-RELEASE SYSTEM 5

The padded velcro strap on the hand makes getting the glove on & off a breeze!

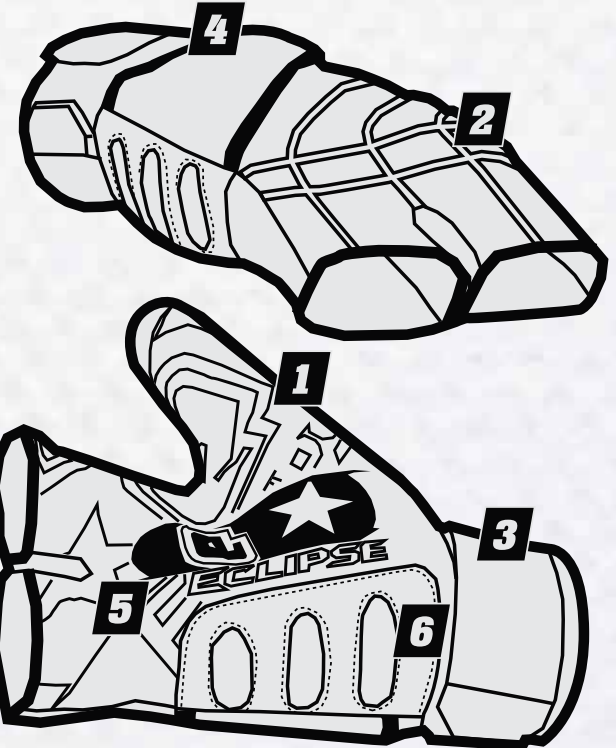
PADED KEVLAR IMPACT PADS 6

Reduces damage to the hand preventing cuts & scratches!

MESHED FINGER VENTS 7

Increase the finger action and allow warm air to escape from the glove.

09 GAUNTLET GLOVES



TERRY CLOTH THUMB 1

Useful for removing paint & dirt from your goggle lens.

FORMED PADDING 2

Reduces ball breaks and aids an ergonomic and comfortable fit.

WRIST SUPPORT STRAP 3

Helps reduce sprains & strains by supporting the wrist.

QUICK-RELEASE SYSTEM 4

The padded velcro strap on the hand makes getting the glove on & off a breeze!

TACTILE PALM PRINT 5

Gives you a more confident surface contact grip.

PADED KEVLAR IMPACT PADS 6

Reduces damage to the hand preventing cuts & scratches!

LOWLAND KITBAG



GET MORE AT PLANETECLIPSE.COM

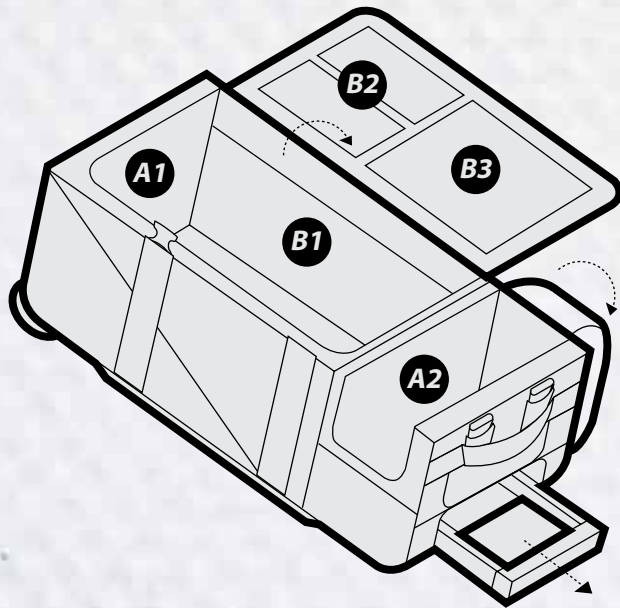
ECLIPSE
PAINTBALL
NEVER
LOSE
A GAME

iNFO

© Copyright 2008. Planet Eclipse Ltd.

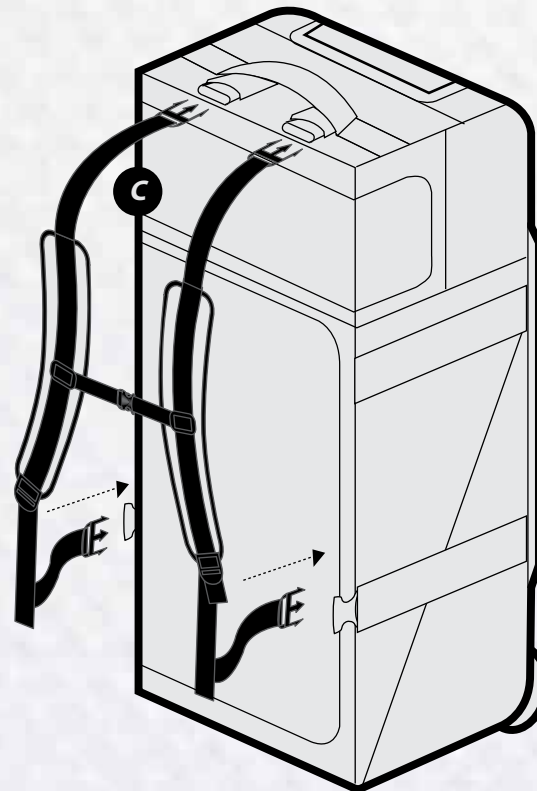
CLASSIC LAYOUT

Our classic kitbag layout has two compartments. The main compartment (A1) has internal zip pockets (B1), velcro pockets (B2) and a clear document holder (B3). Both compartments are protected by formed EVA lids.



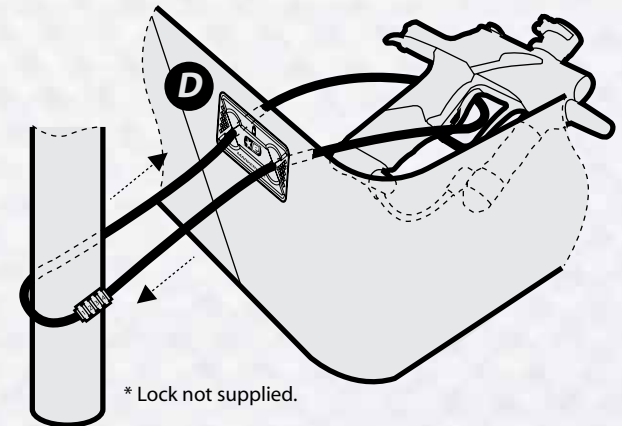
HARNESS

Deploy the de-tachable harness shoulder straps and make travelling over mud and fields a walk in the park!



MARKER LOCK

Take advantage of the unique **Marker Lock** system which allows external access to the kitbag to secure your marker and bag to a fixed location using a suitable cable lock device*.



RAZOR COMPACT KITBAG



GET MORE AT PLANETECLIPSE.COM

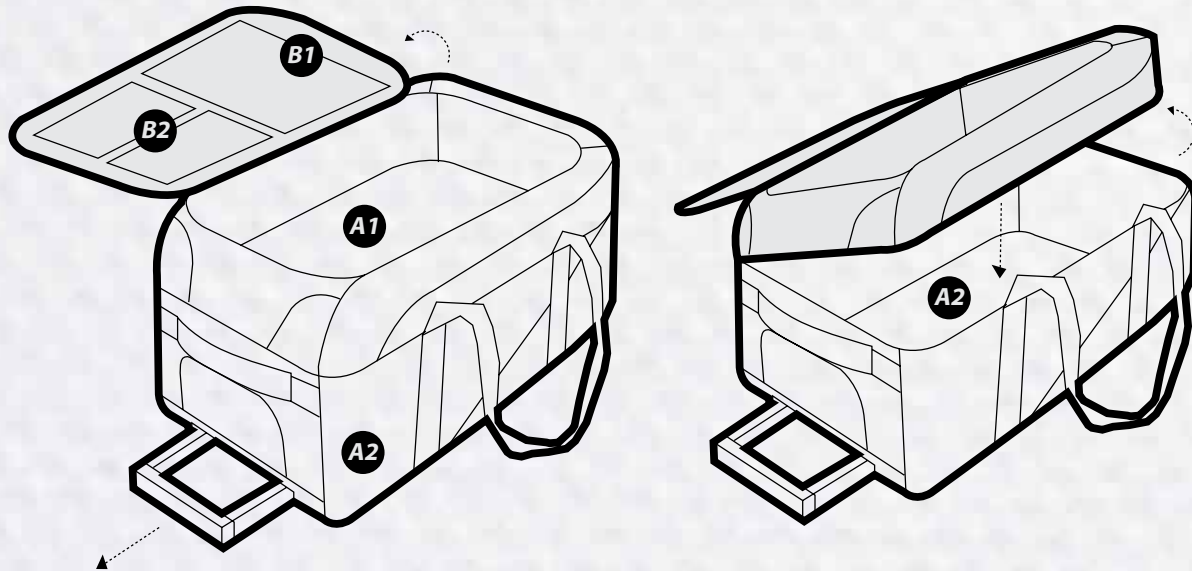
ECLIPSE
PAINTBALL
NEVER
LOSE
A GAME

INFO

© Copyright 2008. Planet Eclipse Ltd.

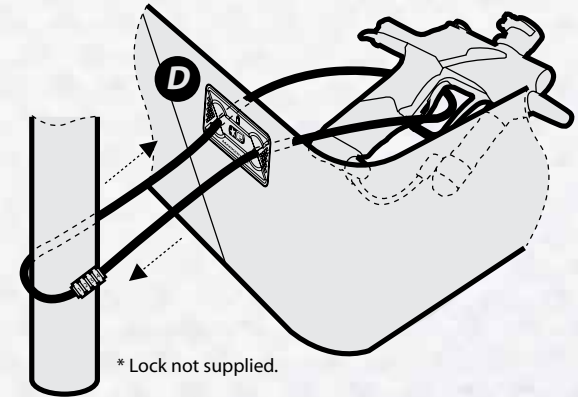
KITBAG LAYOUT

The Razor Compact kitbag has two main compartments. (A1) is a smaller easy access compartment which has a clear document pocket (B1) and two velcro pockets (B2) and the base can be unzipped so you can access the main compartment (A2) or have an even bigger main storage area!



MARKER LOCK

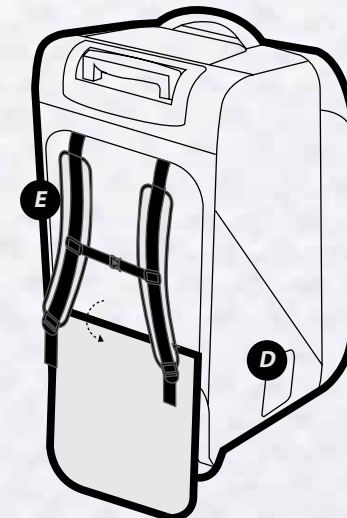
Take advantage of the unique **Marker Lock** system which allows external access to the kitbag to secure your marker and bag to a fixed location using a suitable cable lock device*.



* Lock not supplied.

SHOULDER STRAPS

Deploy the shoulder straps and make travelling over mud and fields a walk in the park!



GET MORE AT PLANETECLIPSE.COM

15

RAZOR TRAVELLER KITBAG



GET MORE AT PLANETECLIPSE.COM

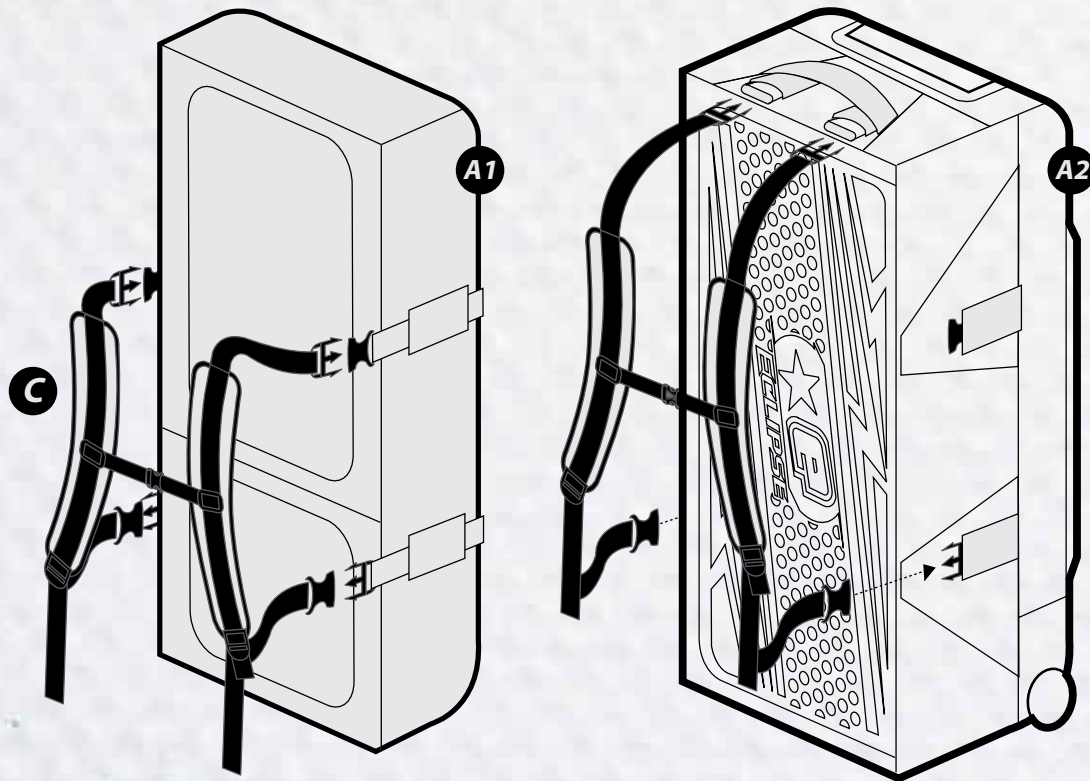
ECLIPSE
PAINTBALL
NEVER
LOSE
A GAME

INFO

© Copyright 2008. Planet Eclipse Ltd.

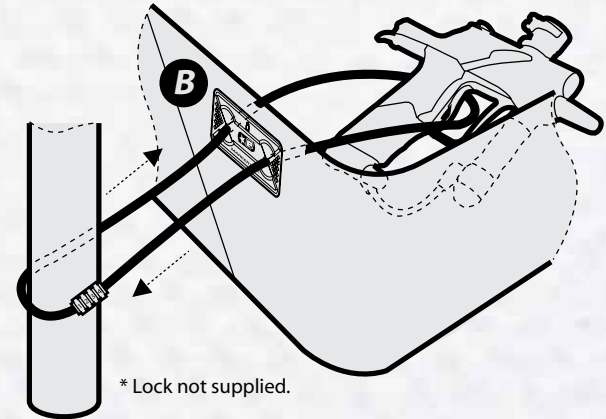
HARNESS

Deploy the de-tachable harness shoulder straps and make travelling over mud and fields a walk in the park!



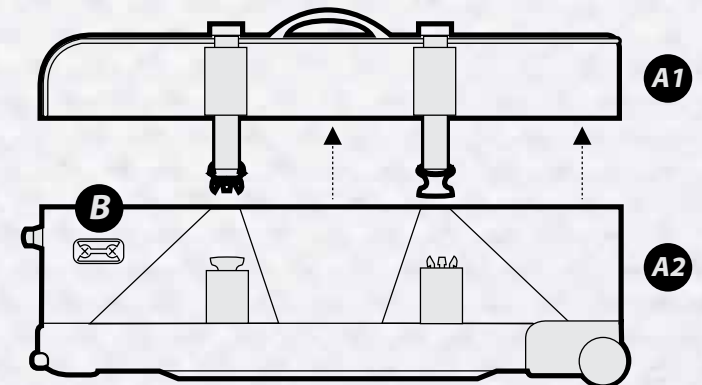
MARKER LOCK

Take advantage of the unique **Marker Lock** system which allows external access to the kitbag to secure your marker and bag to a fixed location using a suitable cable lock*.



SPLITTER

Your kitbag can be split and carried securely in two parts giving you more flexibility and a lighter load when needed.



SHOOTING STAR BACKPACK



GET MORE AT PLANETECLIPSE.COM

ECLIPSE
PAINTBALL
NEVER
LOSE
A GAME

CHIKARA BAG



GET MORE AT PLANETECLIPSE.COM

ECLIPSE
PAINTBALL
NEVER
LOSE
A GAME

F-TAC BACKPACK



GET MORE AT PLANETECLIPSE.COM

ECLIPSE
PAINTBALL
NEVER
LOSE
A GAME

GRAVEL PACK 3



GET MORE AT PLANETECLIPSE.COM

TILT JACKET



CHARCOAL



PATTERN



KHAKI

AVAILABLE SIZES:
XS,S,M,L,XL,2XL,3XL

GET MORE AT PLANETECLIPSE.COM

ECLIPSE
PAINTBALL
NEVER
LOSE
A GAME

B4 ZIP HOODY

BROWN/GOLD



BLACK/GREY



BLACK/WHITE



AVAILABLE SIZES:
S,M,L,XL,2XL,3XL

GET MORE AT PLANETECLIPSE.COM

ECLIPSE
PAINTBALL
NEVER
LOSE
A GAME

VEKTA ZIP HOODY



WHITE/GREY



AVAILABLE SIZES:
S,M,L,XL,2XL,3XL

BLACK/GREEN



BLACK/GREY



GET MORE AT PLANETECLIPSE.COM

ECLIPSE
PAINTBALL
NEVER
LOSE
A GAME

KONNECT TRACKIE

AVAILABLE SIZES:
S,M,L,XL,2XL,3XL



GREEN/WHITE



BROWN/TEAL



BLACK/WHITE



GREY/BLACK

GET MORE AT PLANETECLIPSE.COM

ECLIPSE
PAINTBALL
NEVER
LOSE
A GAME

25

MAZE ZIP HOODY

AVAILABLE SIZES:
S, M, L, XL, 2XL, 3XL



BLACK/WHITE

WHITE/BLACK

GET MORE AT PLANETECLIPSE.COM

ECLIPSE
PAINTBALL
NEVER
LOSE
A GAME

26

CHARLES HOODY



EMORTAL HOODY



MORG HOODY

AVAILABLE SIZES:
S,M,L,XL,2XL,3XL

GET MORE AT PLANETECLIPSE.COM

ECLIPSE
PAINTBALL
NEVER
LOSE
A GAME

POLKA DOT HOODY

AVAILABLE SIZES:
S, M, L

POLKA DOT ZIP HOODY

WHITE



CHARCOAL



PINK



GET MORE AT PLANETECLIPSE.COM

ECLIPSE
PAINTBALL
NEVER
LOSE
A GAME

SHAPES ZIP HOODY



SWEETALK ZIP JACKET

BLACK



STONE

AVAILABLE SIZES:
S, M, L

GET MORE AT PLANETECLIPSE.COM

ECLIPSE
PAINTBALL
NEVER
LOSE
A GAME